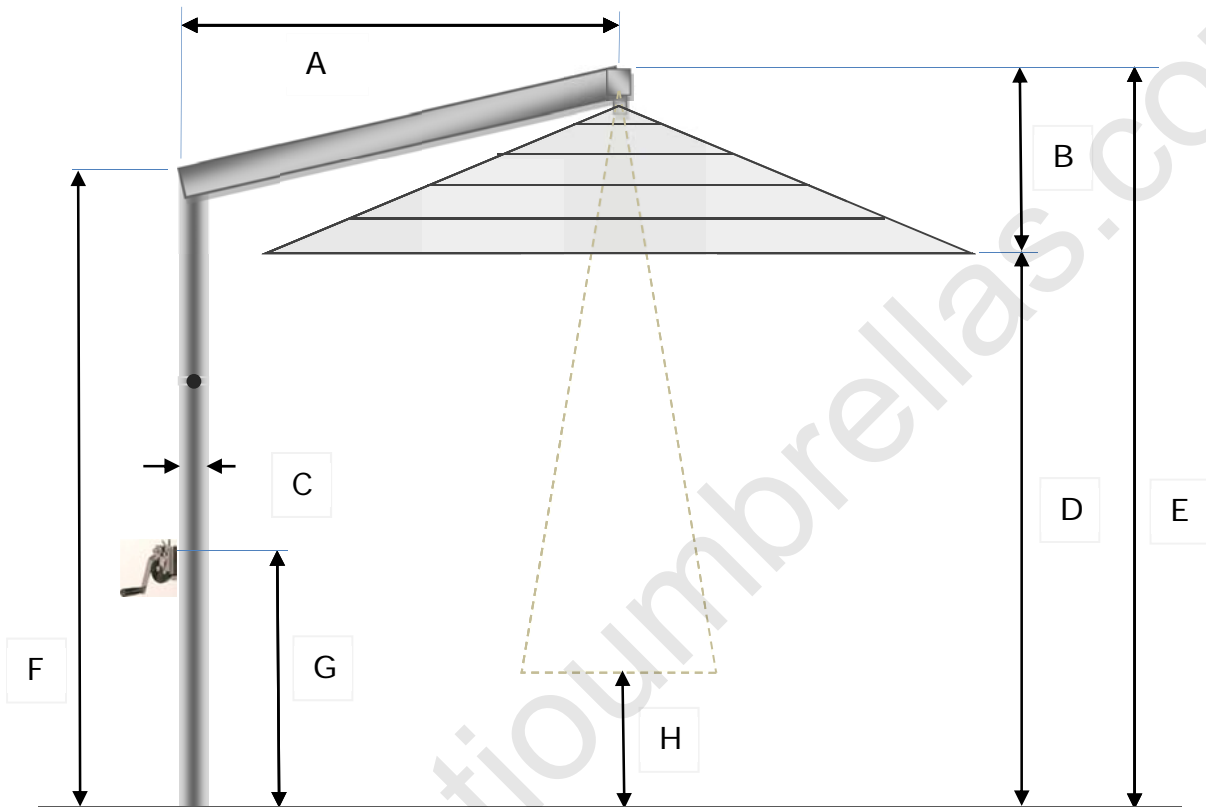


ANTIBES UMBRELLA



On a concrete pedestal

Dimensions	Feet & Inches
A	5ft 9"
B	3ft 1"
C	2.3/8"
D	7ft 3"
E	10ft
F	8ft 7"
G	3ft 8"
H	1ft 9"

On a ground anchor

Dimensions	Feet & Inches
A	5ft 9"
B	3ft 1"
C	2.3/8"
D	7ft 3"
E	9ft 8"
F	8ft 2"
G	3ft 4"
H	1ft 7"

All dimensions are approximate.



ANTIBES

Canopy:

Multi air vent Canopy, acrylic protective cover bag with zipper.

Fabric:

Tempotest waterproof fabric, 100% acrylic or Soltis® by Ferrari polyester micro-aired, anti-stretchable.

Frame:

Anodized aluminum - light grey ribs.

Pole/mast:

Side pole Ø 2.3/8" mirror-finished stainless steel marine grade 316. Rotation feature, 360°

Components:

Mirror polished stainless steel components marine grade 316.

Opening/Closing:

Heavy duty manual winch constructed from marine grade 316 stainless steel and mirror polished finish.

Base:

Concrete base 770 pounds (4" x 4" x ½") or ground anchor (18" x 18") for concrete or wall mounting bracket. Bespoke brackets may be fabricated for fixing to balustrades and railings.

Fabrics:

Around 20 colors.