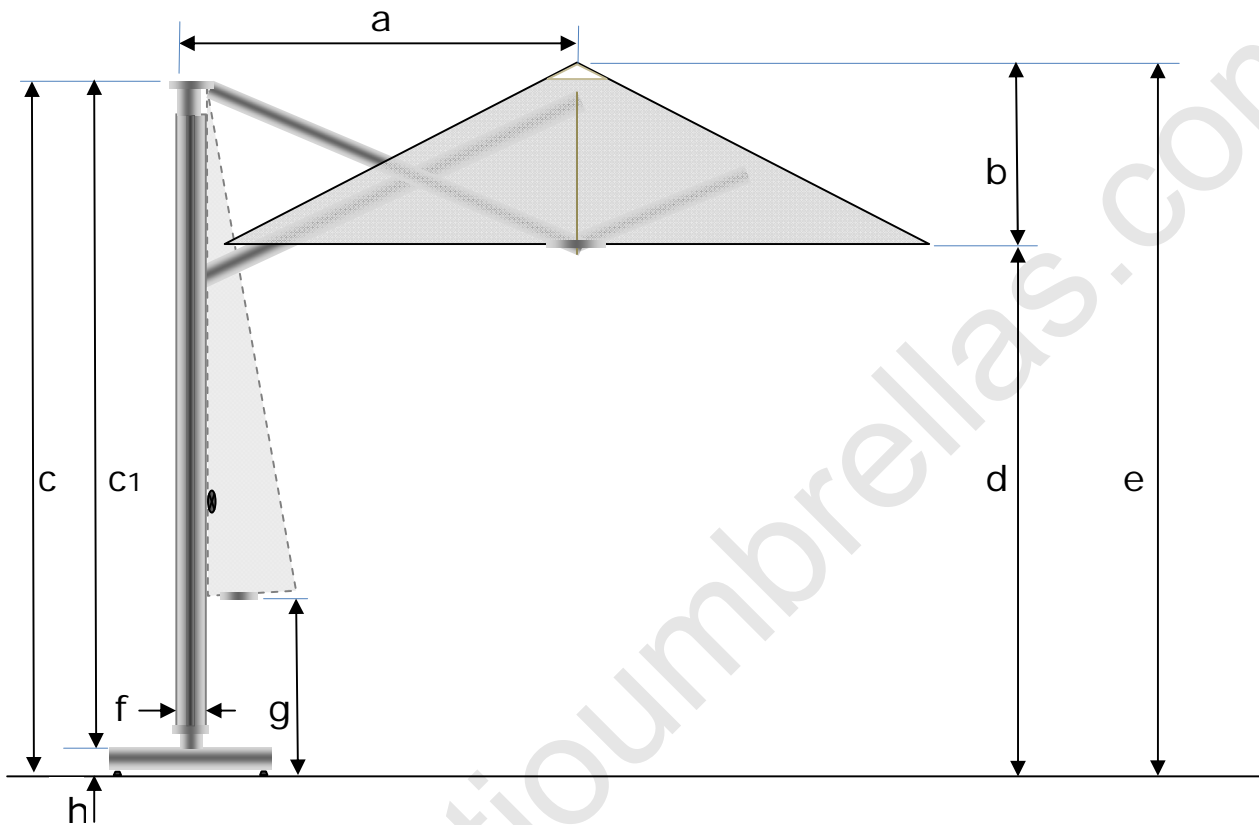


MALAGA SIDE POST UMBRELLA



	Dimensions in feet & inches	8ft sq	10ft sq	Ø 11ft 6"
a	Mast to canopy center	6ft 3"	7ft 4"	6ft 3"
b	Canopy depth	2ft 3"	2ft 3"	2ft 3"
c	Mast height incl. base	9ft 3"	9ft 3"	9ft 3"
c1	Mast height	8ft 10"	8ft 10"	8ft 10"
d	Headroom height	6ft 10"	6ft 10"	6ft 10"
e	Apex height	9ft 2"	9ft 4"	9ft 2"
f	Mast size (square)	4" X 4"	4" X 4"	4" X 4"
g	Closed clearance height	2ft 3"	1ft 6"	2ft 7"
h	Pedestal base height with 2 layers of concrete slabs	7"	7"	7"
h	Pedestal base height with 3 layers of concrete slabs	9"	9"	9"

All dimensions are approximate.